

FAN8200/FAN8200D

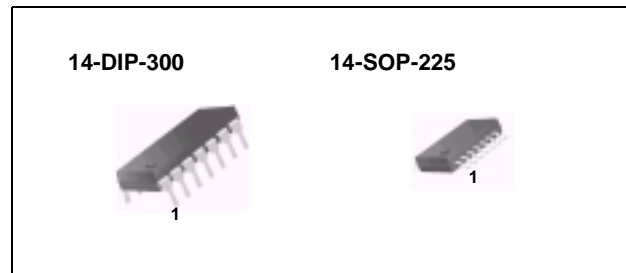
Low Voltage/Low Saturation Stepping Motor Driver

Features

- 3.3V and 5V MPU interface
- Dual H-bridge drivers for bipolar stepping motor drives
- Built-in vertical-PNP power transistors
- Wide supply voltage range($V_{CC} = 2.5V \sim 7.0V$)
- Low saturation voltage (0.4V@ 0.4A)
- Built-in chip enable function for each bridge
- Built-in shoot-through current protection
- Built-in thermal shutdown(TSD) function

Description

The FAN8200/FAN8200D is a monolithic integrated circuit designed for two-phase stepping motor drive systems. It has dual H-bridge drivers with vertical-PNP power transistors. Each of the bridges has an independent enable pin, therefore it can be used for other applications as well as stepping motor drive systems.



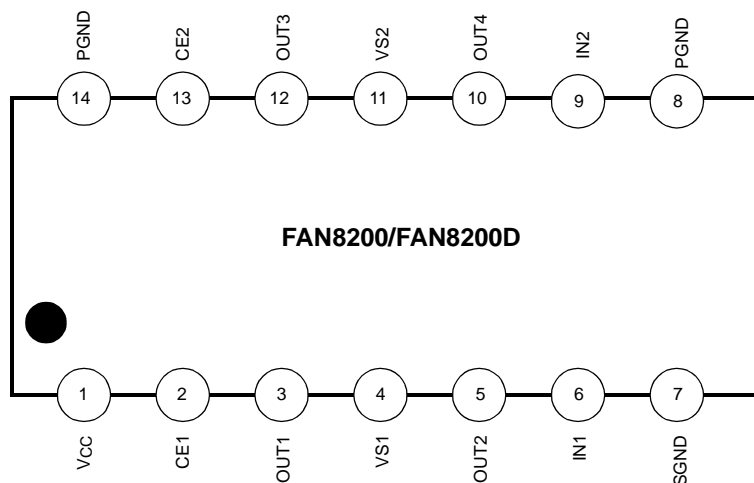
Typical Application

- General low voltage stepping motor driver
- Floppy disk driver
- Camera stepping motor driver
- PC camera or security equipment motion controller
- Two channel dc motor driver for a digital still camera(DSC)
- MPU interfaced general power driver(buffer)

Ordering Information

Device	Package	Operating Temp.
FAN8200	14-DIP-300	-20 ~ +75°C
FAN8200D	14-SOP-225	-20 ~ +75°C
FAN8200DTF	14-SOP-225	-20 ~ +75°C

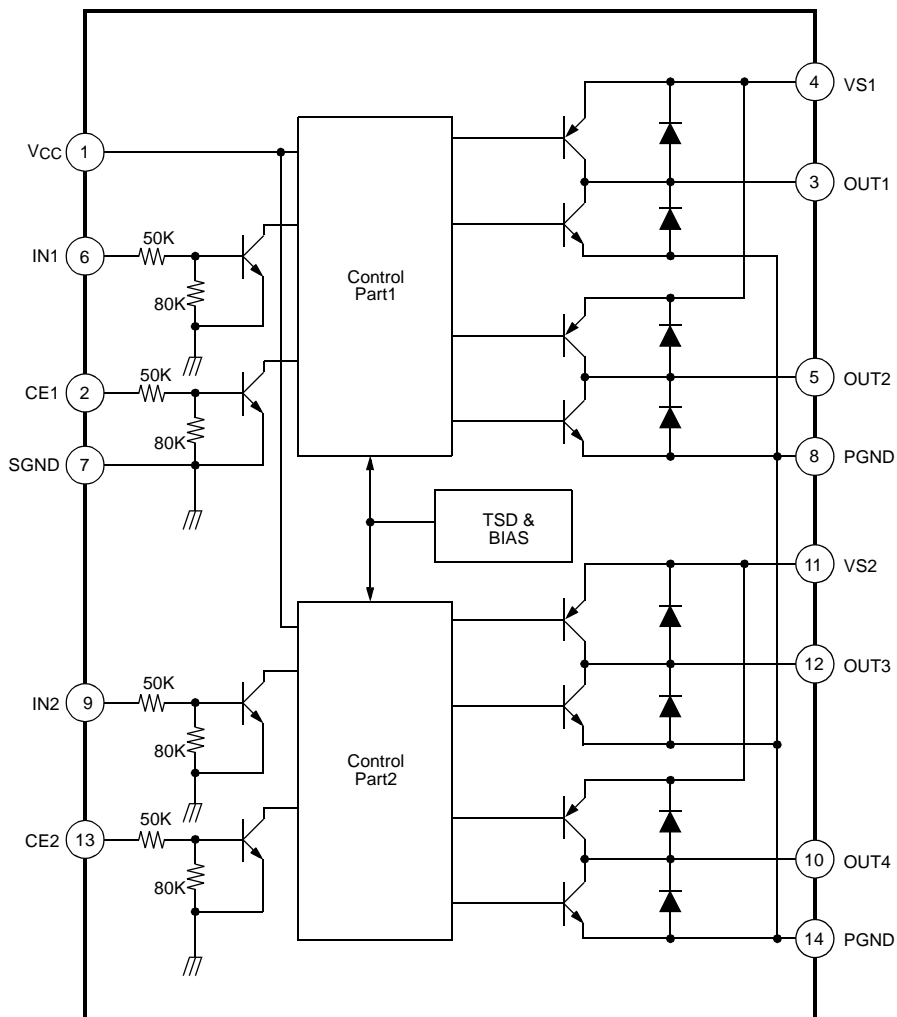
Pin Assignments



Pin Definitions

Pin Number	Pin Name	I/O	Pin Function Description
1	VCC	-	Logic part supply voltage
2	CE1	I	Chip enable 1
3	OUT1	O	Output 1
4	VS1	-	Power supply 1
5	OUT2	O	Output 2
6	IN1	I	Input 1
7	SGND	-	Signal ground
8	PGND	-	Power ground
9	IN2	I	Input 2
10	OUT4	O	Output 4
11	VS2	-	Power supply 2
12	OUT3	O	Output 3
13	CE2	I	Chip enable 2
14	PGND	-	Power ground

Internal Block Diagram



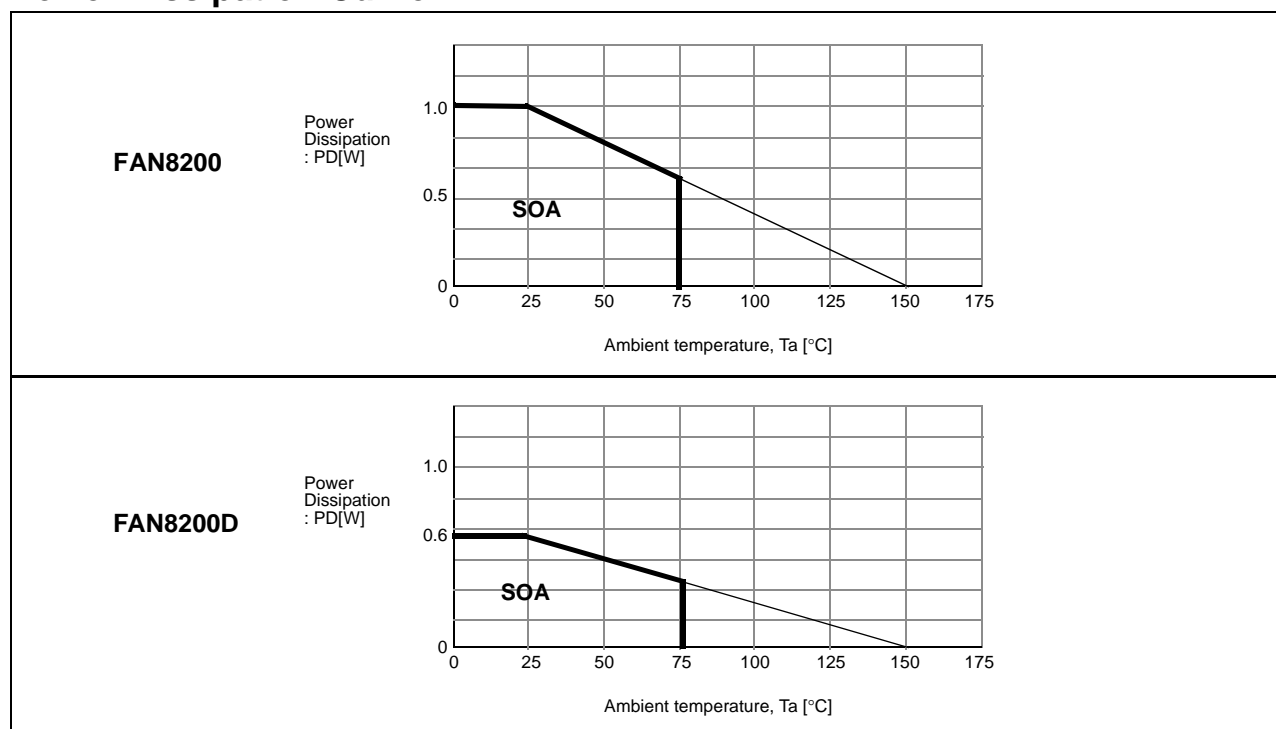
Absolute Maximum Ratings (Ta = 25°C)

Parameter	Symbol	Value	Unit
Supply voltage	V _{CC} (MAX)	9.0	V
Power supply voltage	V _S (MAX)	9.0	V
Output voltage	V _{OUT} (MAX)	V _S + V _{CF}	V
Input voltage	V _{IN} (MAX)	7.0	V
Peak output current per channel	I _O (PEAK)	1	A
Continuous output current per channel	I _O	0.65 (FAN8200) 0.4 (FAN8200D)	A
Power dissipation	P _D ^{note}	1.0 (FAN8200) 0.6 (FAN8200D)	W
Junction temperature	T _J	150	°C
Storage temperature	T _{STG}	-40 ~ 125	°C
Operating temperature	T _A	-20 ~ 75	°C

Notes:

- When mounted on 76.2mm × 114mm × 1.57mm PCB (glass epoxy material).
- Power dissipation reduces 8.0mW/°C (FAN8200) and 4.8mW/°C(FAN8200D) for using above Ta=25°C.
- Do not exceed P_D and SOA(Safe Operating Area).

Power Dissipation Curve



Recommended Operating Conditions (Ta = 25°C)

Parameter	Symbol	Min.	Typ.	Max	Unit
Logic circuit supply voltage	V _{CC}	2.5	-	7.0	V
Power supply voltage	V _S	2.5	-	7.0	V

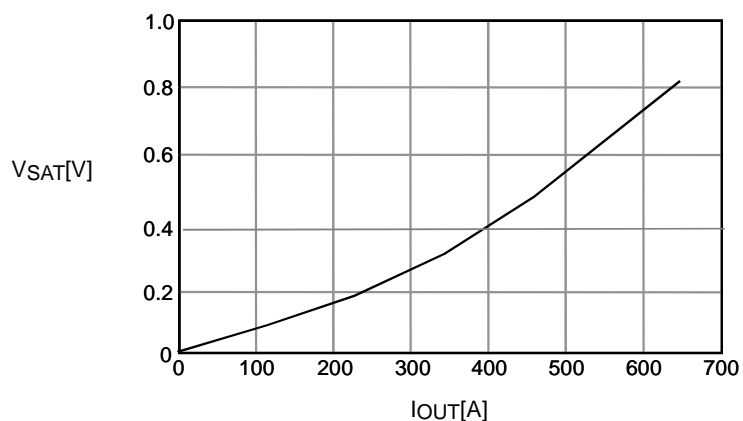
Electrical Characteristics

($T_a=25^{\circ}\text{C}$, $V_{CC}=5\text{V}$, $V_{S1}=3\text{V}$, $V_{S2}=3\text{V}$, unless otherwise specified)

Parameter	Symbol	Conditions	Min.	Typ.	Max.	Unit
Supply current 1	I_{CC1}	$CE1, 2=0\text{V}$	-	0.1	10	μA
Supply current 2	I_{CC2}	$CE1=3\text{V}$, $CE2=0\text{V}$ or $CE1=0\text{V}$, $CE2=3\text{V}$	-	12	18	mA
Saturation voltage 1 (Upper + Lower Total)	V_{SAT1}	$CE1=3\text{V}$, $IN1=3\text{V}$ or 0V , $I_{OUT}=0.2\text{A}$	-	0.2	0.3	V
Saturation voltage 2 (Upper + Lower Total)	V_{SAT2}	$CE1=3\text{V}$, $IN1=3\text{V}$ or 0V , $I_{OUT}=0.4\text{A}$	-	0.4	0.6	V
Input high level voltage	V_{INH}	-	1.8	-	V_{CC}	V
Input low level voltage	V_{INL}	-	-0.3	-	0.7	V
Input current	I_{IN}	$IN=3\text{V}$, Each pin	-	100	200	μA
Chip enable current	I_{CE}	$CE=3\text{V}$, Each pin	-	100	200	μA
Clamp diode leakage current	I_{LEAK}	$V_{CC}=7\text{V}$, $V_S=7\text{V}$	-	-	30	μA
Clamp diode voltage	V_{CF}	$I_{OUT}=0.4\text{A}$	-	-	1.7	V

Typical Performance Characteristics

V_{SAT} vs. I_{OUT} Characteristics Graph

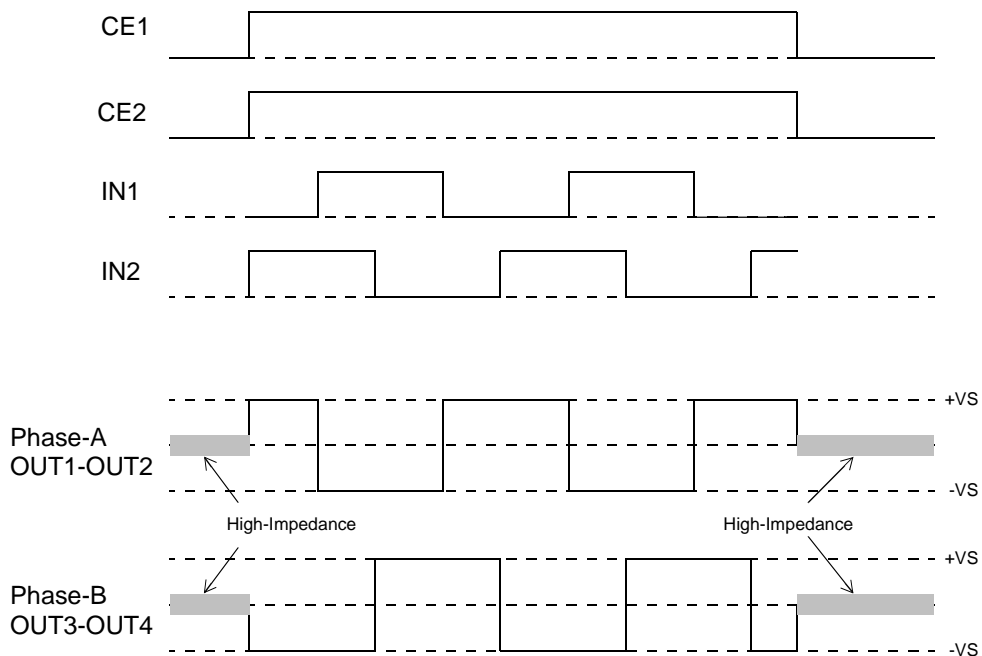


Function Descriptions

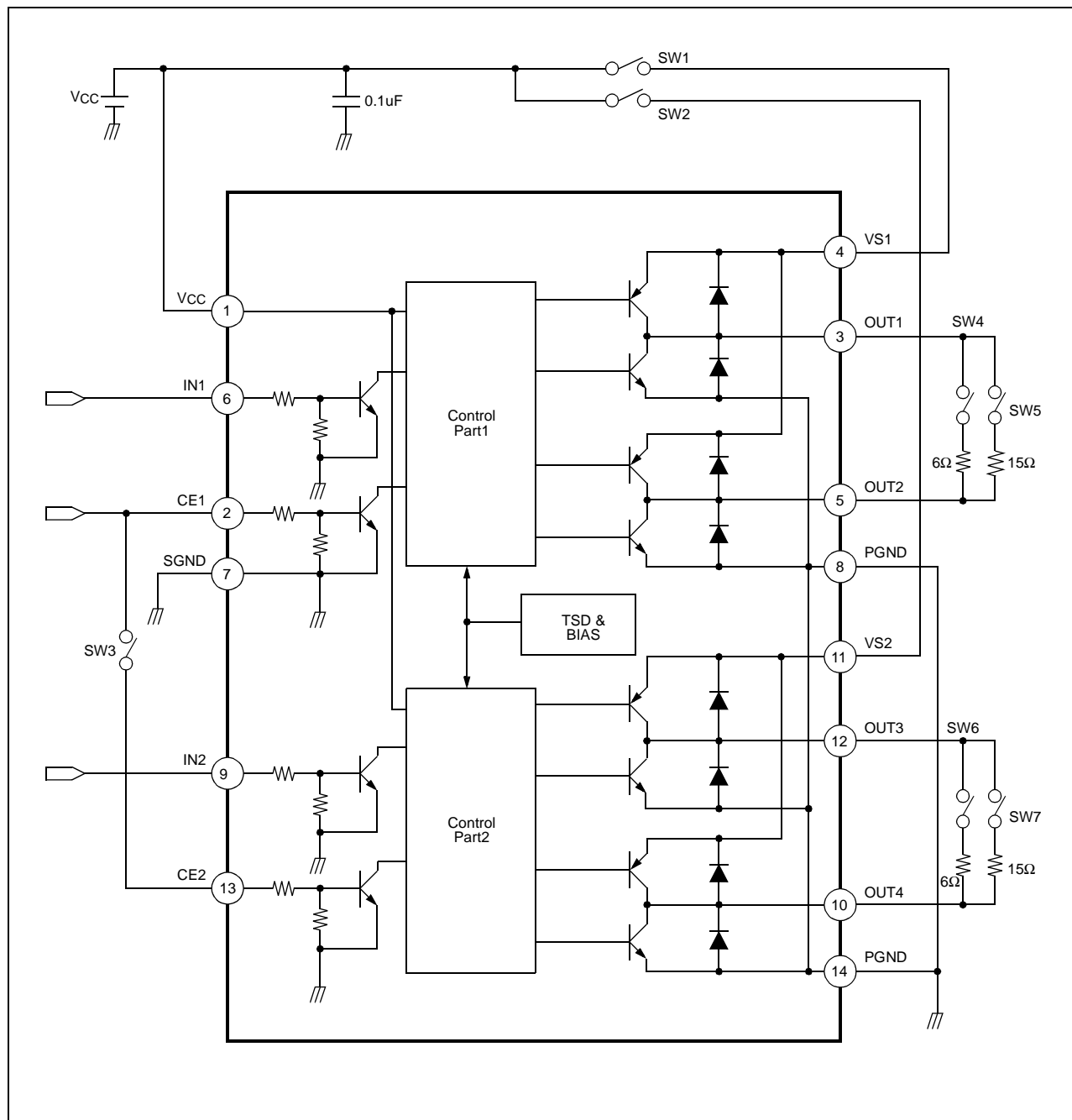
CE1	IN1	OUT1	OUT2
Low	X	Z	Z
High	Low	High	Low
High	High	Low	High

CE2	IN2	OUT3	OUT4
Low	X	Z	Z
High	Low	High	Low
High	High	Low	High

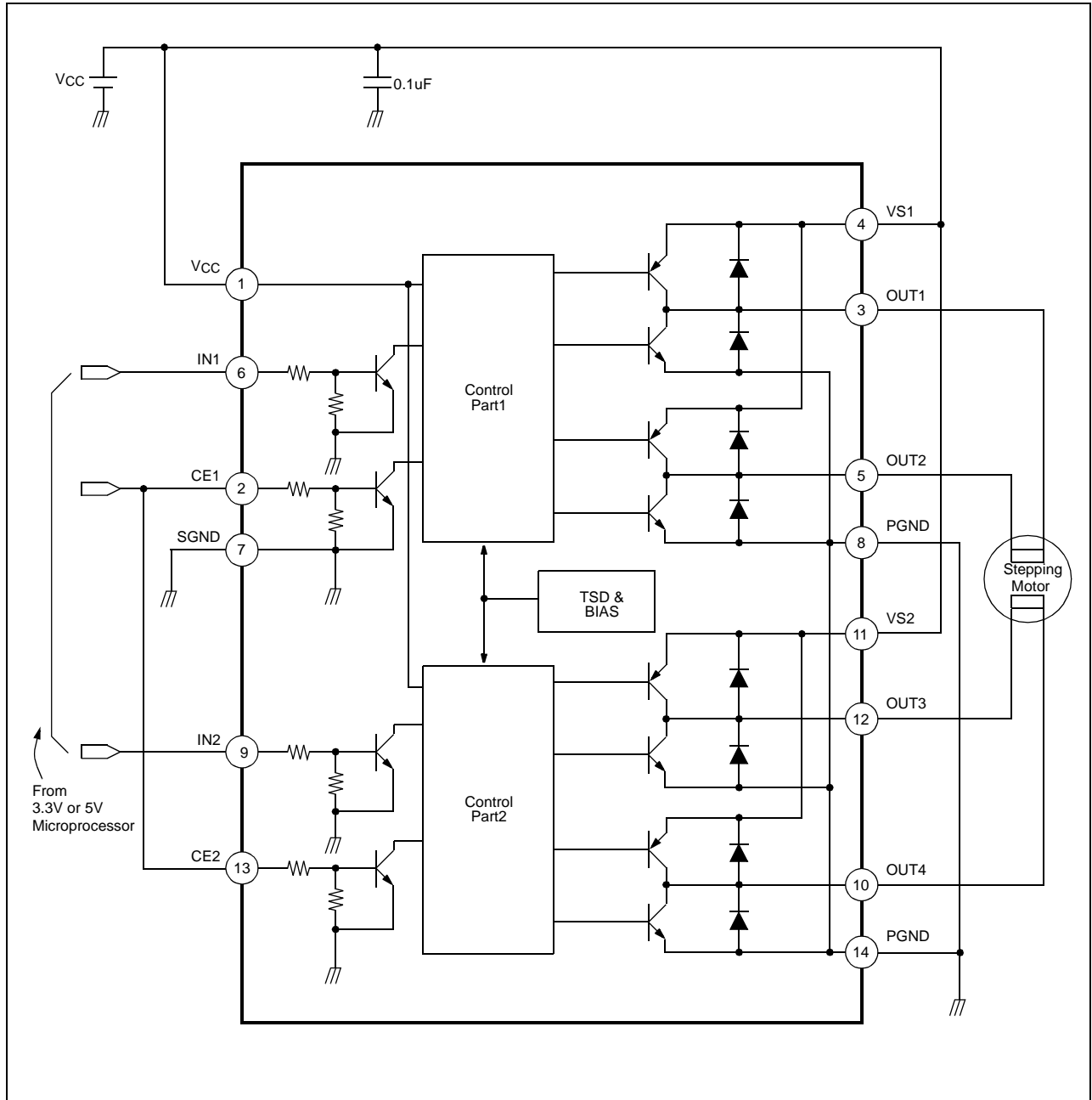
X: don't care
Z: high-impedance



Test Circuits

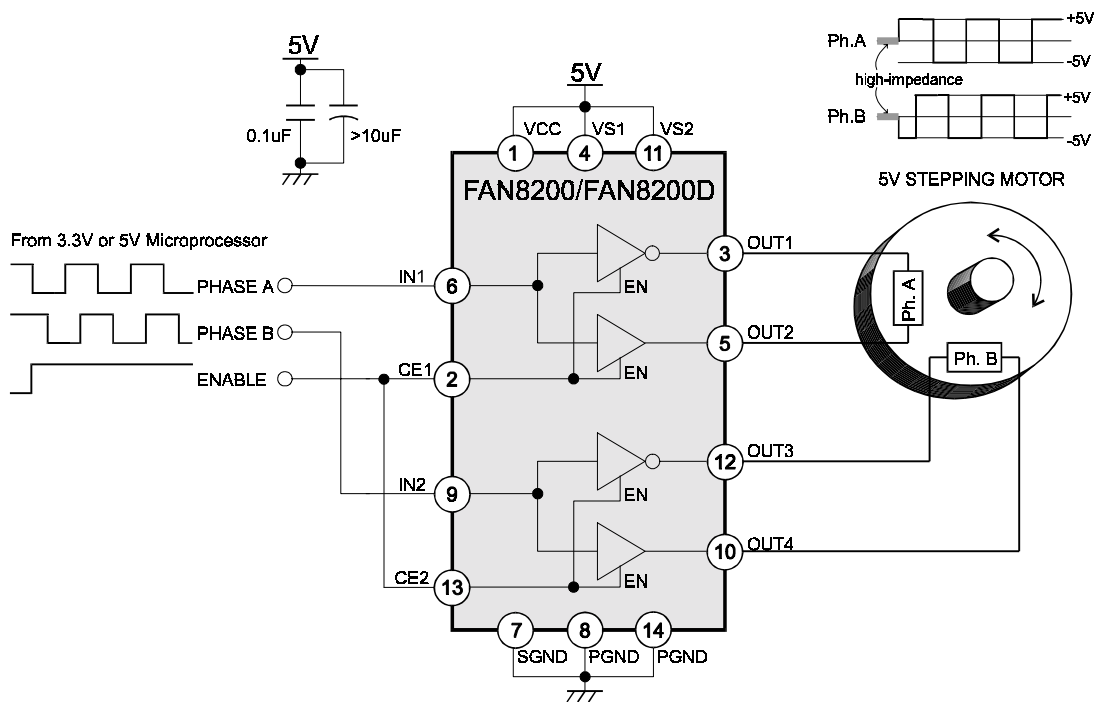


Typical Application Circuit



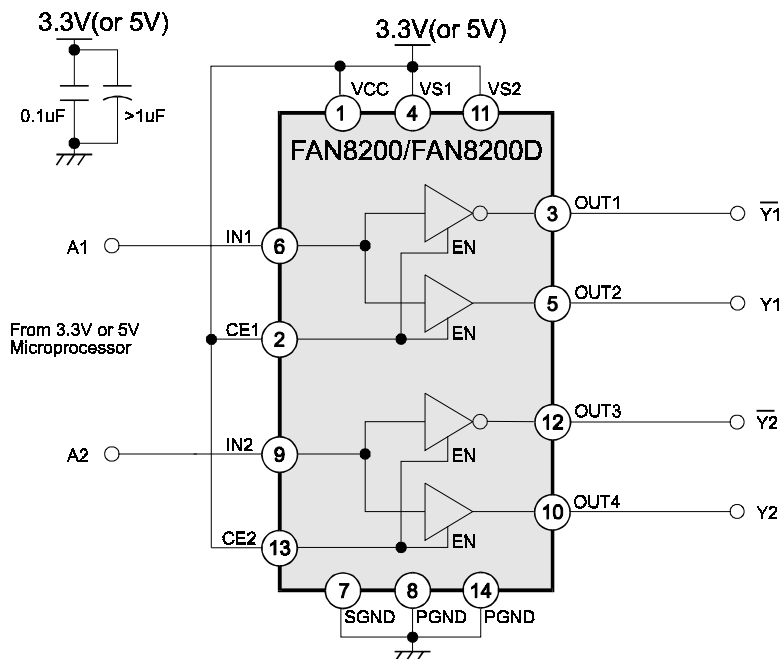
Application Example - Full Step Bipolar Drive

Circuit Schematics



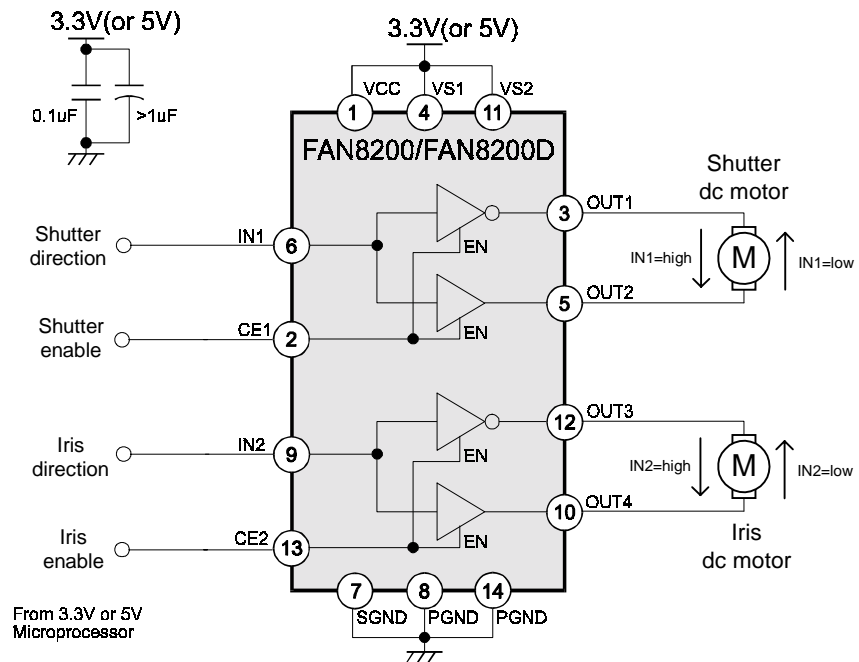
Application Example - Large Current Buffer

Circuit Schematics



Application Example - 2-Ch. dc Motor Driver for a Digital Still Camera(DSC)

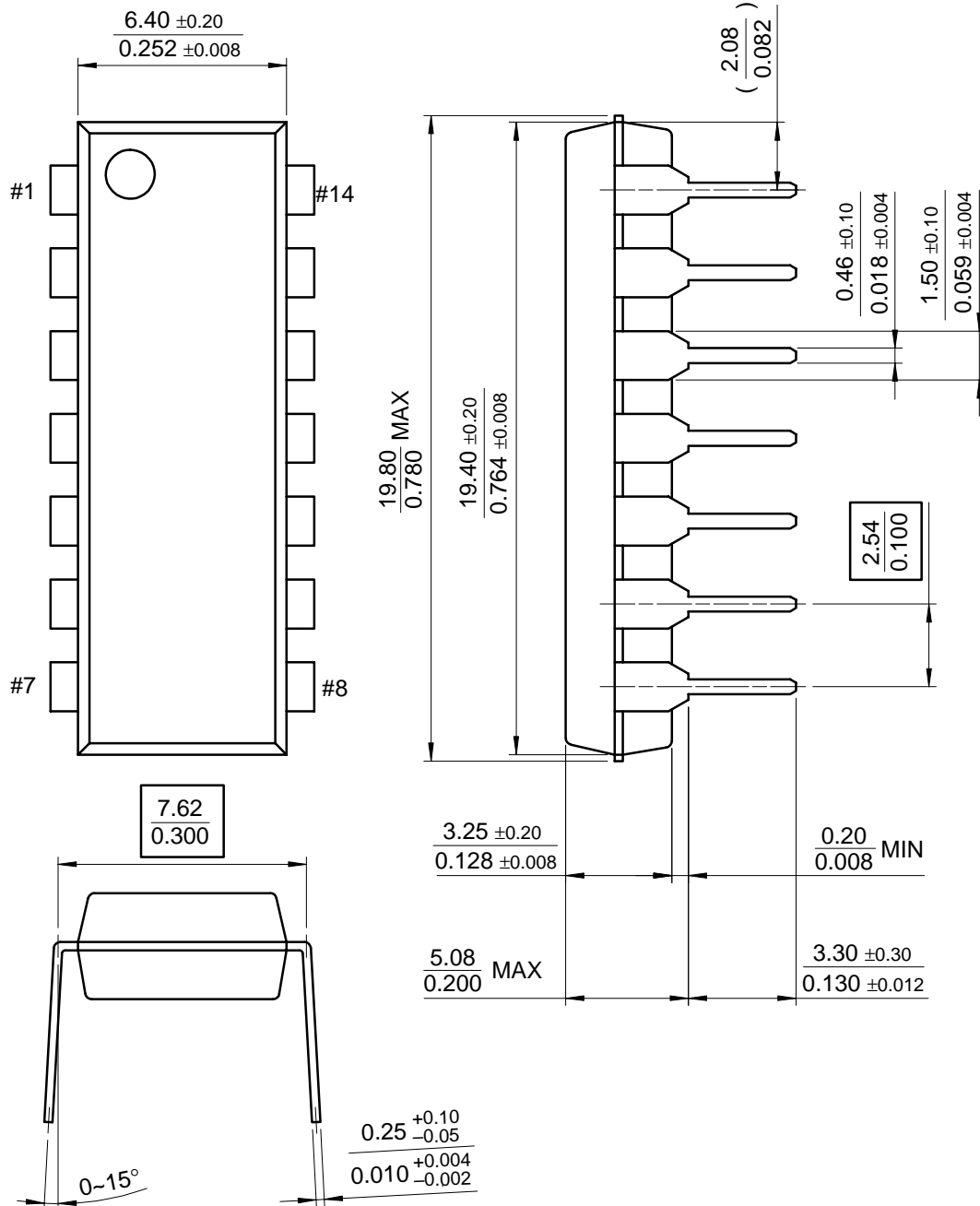
Circuit Schematics



Mechanical Dimensions (Unit: mm)

Package Dimensions

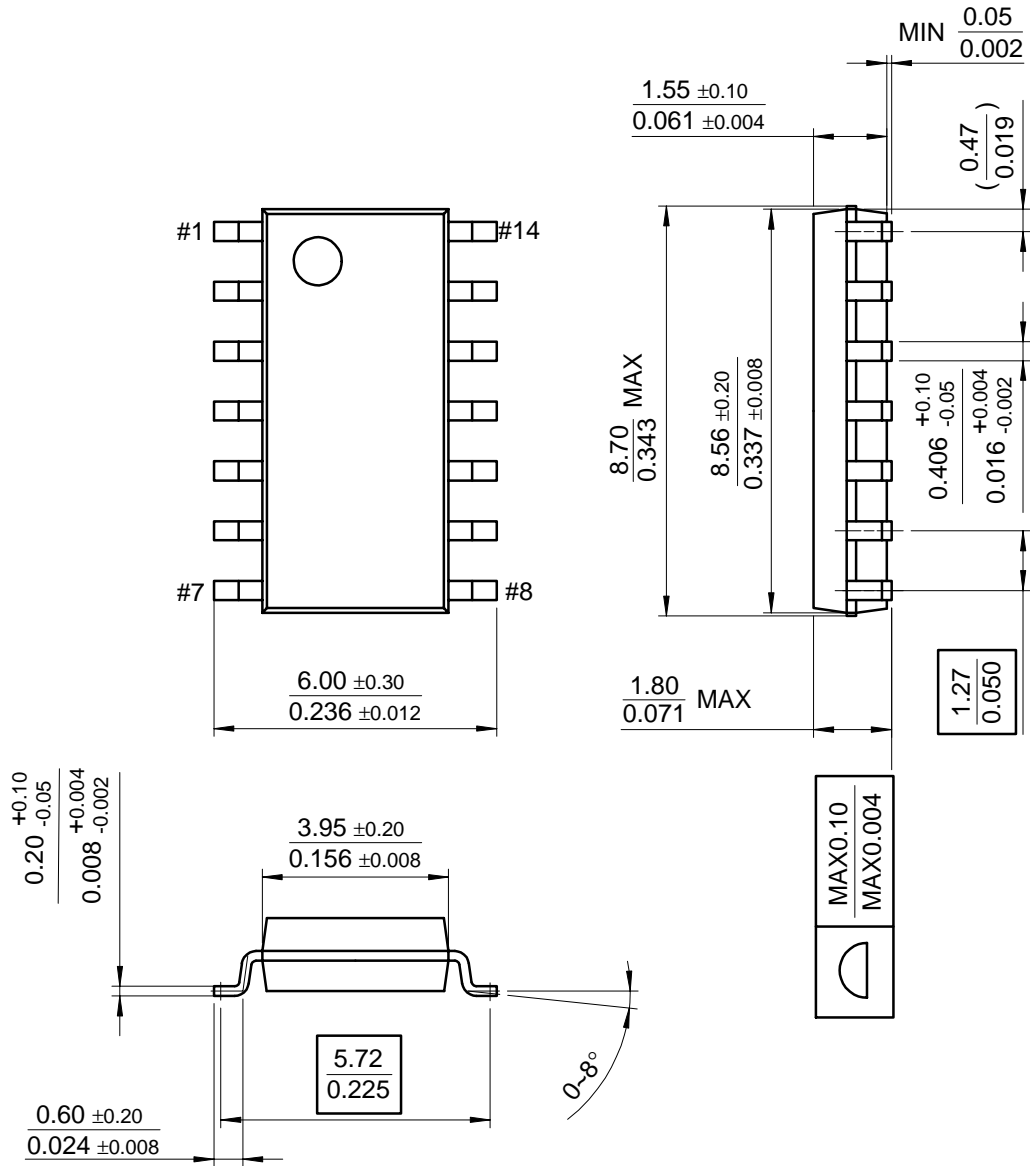
14-DIP-300



Mechanical Dimensions (Unit: mm) (Continued)

Package Dimensions

14-SOP-225



DISCLAIMER

FAIRCHILD SEMICONDUCTOR RESERVES THE RIGHT TO MAKE CHANGES WITHOUT FURTHER NOTICE TO ANY PRODUCTS HEREIN TO IMPROVE RELIABILITY, FUNCTION OR DESIGN. FAIRCHILD DOES NOT ASSUME ANY LIABILITY ARISING OUT OF THE APPLICATION OR USE OF ANY PRODUCT OR CIRCUIT DESCRIBED HEREIN; NEITHER DOES IT CONVEY ANY LICENSE UNDER ITS PATENT RIGHTS, NOR THE RIGHTS OF OTHERS.

LIFE SUPPORT POLICY

FAIRCHILD'S PRODUCTS ARE NOT AUTHORIZED FOR USE AS CRITICAL COMPONENTS IN LIFE SUPPORT DEVICES OR SYSTEMS WITHOUT THE EXPRESS WRITTEN APPROVAL OF THE PRESIDENT OF FAIRCHILD SEMICONDUCTOR CORPORATION. As used herein:

1. Life support devices or systems are devices or systems which, (a) are intended for surgical implant into the body, or (b) support or sustain life, and (c) whose failure to perform when properly used in accordance with instructions for use provided in the labeling, can be reasonably expected to result in a significant injury of the user.
2. A critical component in any component of a life support device or system whose failure to perform can be reasonably expected to cause the failure of the life support device or system, or to affect its safety or effectiveness.

This datasheet has been download from:

www.datasheetcatalog.com

Datasheets for electronics components.